

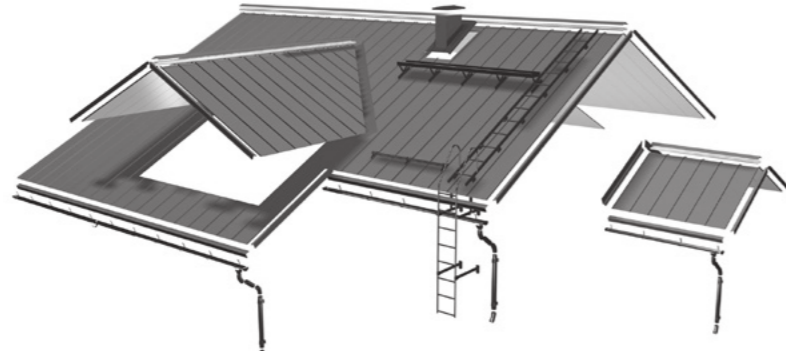
Anti-condensation noise-reducing felt

The Classic roof can be produced also as „RUUKKI Silence“ type with additional felt on the under-side. This option ensures noise reduction of 6 db and reduces also the condensation effect at the bottom of the Classic roof.



Accessories

Accessory is available in the same material like the CLASSIC roofs and have the same qualitative properties. This accessory is fastened with self-drilling screws in same color, with a water-proof and a wear-resistant seal. In addition to an extensive range of accessories it is also possible to order custom fittings. Also various original leads-in parts is possible to install according customer's needs.



CreativeBrand 08/19



RUUKKI CLASSIC

Ruukki Classic ®



RUUKKI
Building your tomorrow.

Ruukki Construction Oy, Jonkankatu 4, P.O. Box 677, FI-20361 Turku, Finland, Tel. +358 (0) 20 59 127, www.ruukkiroofs.com
Copyright© 2019 Rautaruukki Corporation. All rights reserved. Ruukki, Rautaruukki, Building your tomorrow. and Ruukki's product names are trademarks or registered trademarks of Rautaruukki Corporation, the subsidiary of SSAB.

RUUKKI
Building your tomorrow.

Tough but beautiful

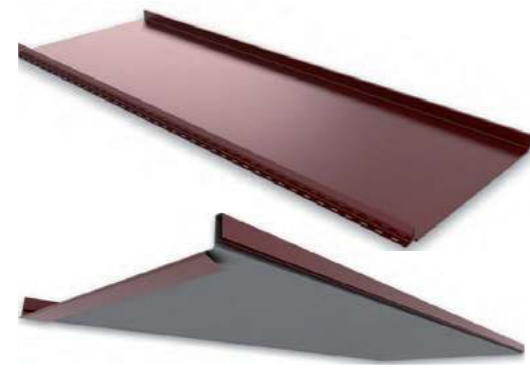
Ruukki Classic is a high-class steel roof with unique look. Its profile resembles traditional seamed roofing but at the same time it's modern and stylish. It suits a variety of architectural styles and it is an excellent choice also for low-pitched roofs. If you are looking for timeless and long-lasting beauty, choose Ruukki Classic. It's tough and easy-care.

Innovations in classic design

RUUKKI CLASSIC is excellent because of its simplicity and timeless solutions for every roof. It meets the idea of classic home and contemporary architectural styles.

RUUKKI CLASSIC is characterized by straight lines and harmonious forms on the surface and hidden anchors that do not disturb the unique appearance of the roof.

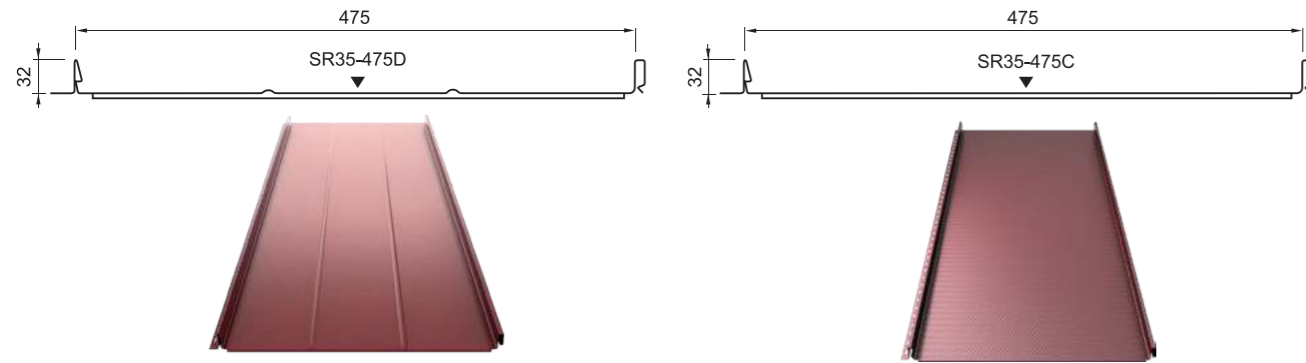
RUUKKI CLASSIC is suitable for roofing as well as for wall cladding.



Technical specification

Name	Name
e-code	SR35-475C SR35-475D
...	EN 14782
Profile height	32 mm
Step length	475 mm
Effective width	505 mm
Max length	10 000 mm
Min length	800 mm
Steel thickness	0,50/0,60* mm
Min. slope	8°
Mass of zinc	275 g/m ²

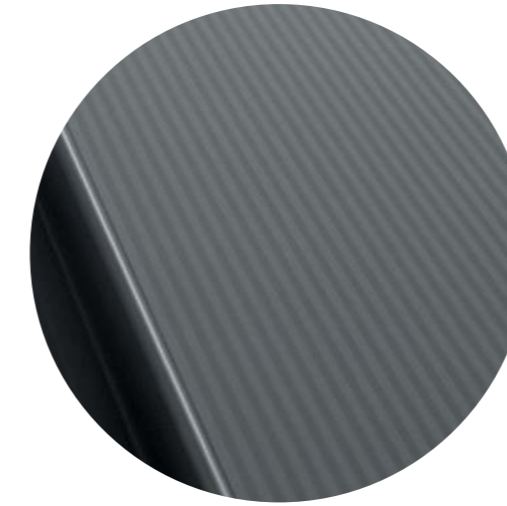
* HIARC Matt® coating



NEW Classic M - Microprofilation

Micro-profilation, this new way of covering, underlines the modern and elegant appearance of the roof and contributes to the rigidity of whole roof.

Available in Ruukki 50 Plus and Ruukki 40 Quality Classes.



Colours

Classic Silence – Ruukki 50 Plus

In addition to the Classic C and D, Ruukki has developed the Classic Silence. This Classic Silence comes with an additional anti-condensation and noise felt that further increases your living comfort. The Classic Silence is available in Quality Class RUUKKI 50 Plus and in following colors:

Classic Silence

Ruukki® 50 Plus	Pural Matt BT	RR2H3	RR23	RR33	RR887
-----------------	---------------	-------	------	------	-------

Classic D

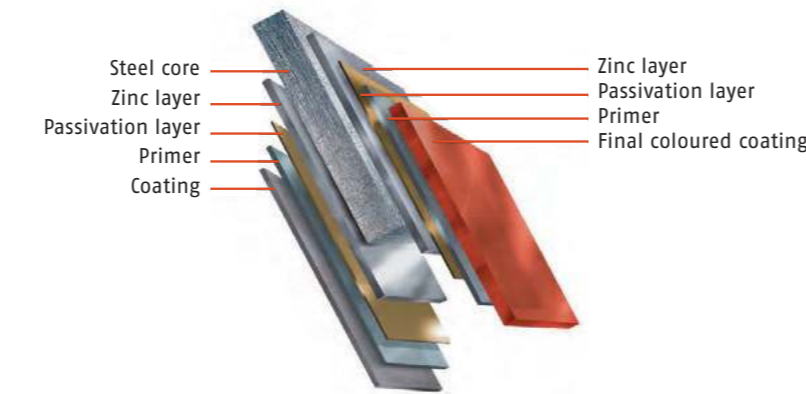
Ruukki® 50 Plus	Pural Matt BT	RR2H3	RR22	RR23	RR29	RR32	RR33	RR750	RR887
Ruukki® 40	Crown BT	RR2H3		RR23	RR29	RR32	RR33	RR750	RR887
Ruukki® 30	Polyester Rough Matt	RR2H3		RR23	RR29	RR32	RR33	RR750	RR887

Classic C

Ruukki® 50 Plus	Pural Matt BT	RR2H3	RR22	RR23	RR29	RR32	RR33	RR750	RR887
Ruukki® 50 Plus	HIARC Matt®								RR41
Ruukki® 40	Crown BT	RR2H3		RR23	RR29	RR32	RR33	RR750	RR887
Ruukki® 30	Polyester Rough Matt	RR2H3		RR23	RR29	RR32	RR33	RR750	RR887

Coated steel - composition

The steel core consists of 0.50 mm or 0.60 mm (HIARC Matt®) steel thickness protected by a minimum of 275 grams of zinc per square meter, according to standard SFS-EN 10346



Warranties

We offer the Classic roofs in the Quality Classes RUUKKI 50 Plus (50 years technical and 25 years aesthetical warranty, RUUKKI 40 (40 years technical and 15 years aesthetical warranty and RUUKKI 30 (30 years technical and 10 years aesthetical warranty).

The technical quality relates to the mechanical functionality of the product. We guarantee that the Classic roof stay intact during a guarantee period. The aesthetical quality relates to the durability of the color on the outside part of the product. We guarantee the coating and the color of the product during the granted warranty period will show no wear.

The warranty is subject to the warranty provided by RUUKKI sales terms and conditions.



Let us introduce GreenCoat®



GreenCoat® stands for innovative, eco-conscious colour coated steel sheet solutions boasting excellent colour retention and long usable life. The material has been developed for use in building construction and other uses. All products are based on Nordic top quality

steel which is recognized worldwide as one of the best steels available on the market. On top of this, most of the GreenCoat® products feature a Bio-based Technology (BT) surface coating with a substantial portion of the traditional fossil part replaced by biocomponents.

Greener, better - superior quality steels and bio-based material coatings

Products made of GreenCoat® Nordic quality offer great environmental advantages. They can boast the highest parameters thus contributing to lower ecological burden and improved sustainability of the buildings. While colour coated steels are available as chromate-free products only, GreenCoat® goes even further. Therefore most of the GreenCoat® products feature a Bio-based Technology (BT) coating with a substantial portion of the traditional fossil part replaced by biocomponents. This unique patented solution radically reduces the ecological footprint of GreenCoat® products. Thanks to the innovative colour design, 100% recyclability and conformity with the REACH

regulations as well as a range of various environmental certificates GreenCoat constitutes an ideal sustainable solution for buildings. GreenCoat® products are highly resistant to corrosion, UV radiation as well as scratches. They offer an extensive guarantee based on 40 years of testing in outdoor environment. They provide builders with a lightweight material that is easy to work with even down to -15°C. GreenCoat products are available in a whole range of attractive colours and surface finishes.

In every possible climate on Earth GreenCoat® helps to build innovative, durable and economic buildings - for greener living.

